



PXH-28XXS-30 Single Output Series High Reliability DC-DC Converters

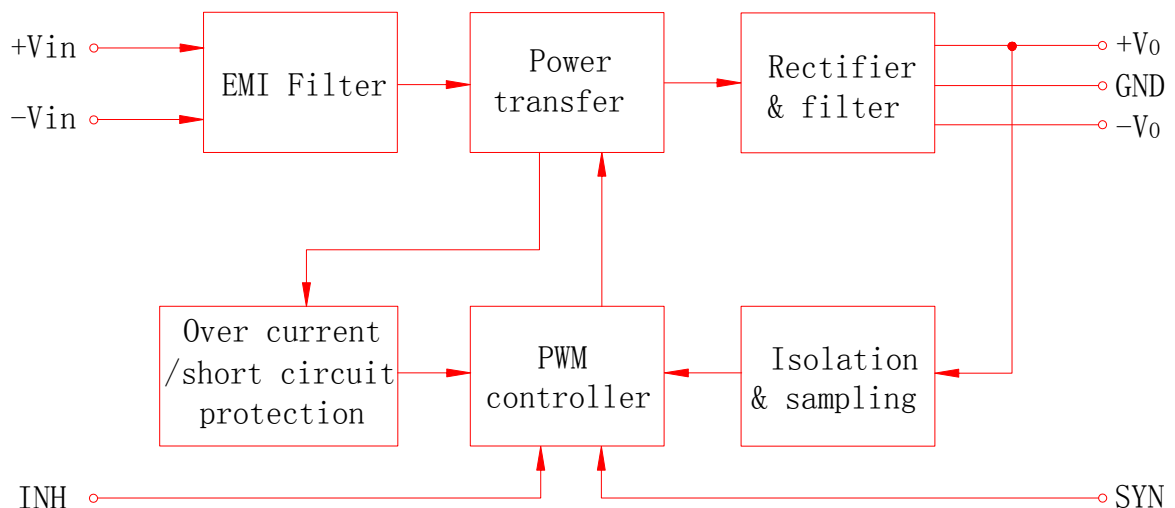
- ❑ High reliability, small size
- ❑ Input Voltage range: 16VDC to 40VDC
- ❑ Output Power: 20 - 30W
- ❑ Inhibit and synchronization functions
- ❑ Fully Isolated
- ❑ In Photoelectric Isolation
- ❑ Over current /short circuit protection
- ❑ DIP hermetic sealed



DESCRIPTION:

The PXH-28XXS-30 single output series module adopts Thick-Film Microcircuit Technology, parallel seam welding process and is a high reliability converter suitable for use in applications in the aviation, aerospace and military sectors. The output voltage is 3.3V, 5V, 12V or 15V. The output power ranges from 15 to 20W. The switching frequency is fixed at 265 KHz to minimize noise. The input filter circuit is designed to reduce the electro-magnetic interference. The typical input voltage is 28V, and the ranges from 16V to 40V. The PXH-28XXS-30 series also provides some control functions such as synchronization, shut down, and over-current and short circuit protection.

BLOCK DIAGRAM:



**PXH-28XXS-30 Single Output Series
High Reliability DC-DC Converters**



ABSOLUTE MAXIMUM RATINGS:

Input Voltage: 16V_{DC} to 40V_{DC}

Output Power: 20 - 30W

Storage Temperature range (Tc): -65°C to +150°C(M)/ -55°C to +125°C(E)

Operating Temperature (Tc): -55°C to +105°C(M)/ -40°C to +85°C(E)

Pin-Solder Temperature (10S): 300°C

ELECTRICAL CHARACTERISTICS:

T_a =25°C, V_{in}=28VDC, 100% load, unless otherwise specified.

Parameter	Conditions	PXS-283R3S-20			PXS-2805S-25			PXS-2812S-30			PXS-2815S-30			Units
		MIN	TYP	MAX	MIN	TYP	MAX	MIN	TYP	MAX	MIN	TYP	MAX	
OUTPUT VOLTAGE	V _{IN} =16 to 40V	3.27	3.30	3.33	4.95	5.00	5.05	11.88	12.00	12.12	14.85	15.00	15.15	VDC
OUTPUT CURRENT	V _{IN} =28 V _{DC}	0	—	6.06	0	—	5.0	0	—	2.5	0	—	2.0	A
OUTPUT POWER	V _{IN} =28 V _{DC}	0	—	20	0	—	25	0	—	30	0	—	30	W
OUTPUT RIPPLE VOLTAGE ¹	20MHz	—	15	40	—	35	50	—	25	50	—	25	50	mV _{p-p}
	-55°C to 105°C	—	—	50	—	50	90	—	40	90	—	40	90	
LINE REGULATION	V _{IN} =16 to 40 V	—	5	10	—	10	30	—	10	30	—	10	30	mV
	-55°C to 105°C	—	—	30	—	15	50	—	15	50	—	15	50	
LOAD REGULATION	I _o =0 to 100%	—	2	10	—	5	30	—	5	30	—	5	30	mV
	-55 to 105°C	—	—	30	—	15	50	—	15	50	—	15	50	
INPUT VOLTAGE	Continuous	16	28	40	16	28	40	16	28	40	16	28	40	V
	50V/50ms	—	—	50	—	—	50	—	—	50	—	—	50	
INPUT CURRENT	No load	—	30	75	—	35	75	—	35	75	—	35	75	mA
	Full load	—	0.94	—	—	1.15	—	—	1.30	—	—	1.25	—	A
	Inhibit	—	7	8	—	3	8	—	3	8	—	3	8	mA
INPUT RIPPLE CURRENT	20MHz	—	25	50	—	20	50	—	20	50	—	20	50	mA _{pp}
EFFICIENCY		74	76	—	76	78	—	80	83	—	81	84	—	%
SHORT CIRCUIT	Dissipation	—	—	15	—	—	15	—	—	15	—	—	15	W
	Recovery	—	1.4	6	—	1.4	5	—	1.4	5	—	1.4	5	ms
STEP LOAD RESPONSE. TRANSIENT ²	50%-100%-50%	—	±125	±250	—	±200	±300	—	±250	±400	—	±350	±500	mV
		—	—	200	—	60	200	—	60	200	—	60	200	us
STEP LOAD RESPONSE. TRANSIENT RECOVERY ²	16-40-16Vin	—	—	±300	—	±200	±300	—	±400	±500	—	±500	±600	mV
		—	—	300	—	—	300	—	—	300	—	—	300	us
START-UP	Delay	—	1.4	5	—	1.4	5	—	1.4	5	—	1.4	5	ms
	Overshoot(full)	—	0	50	—	0	50	—	0	120	—	0	150	mV _{pk}
	Overshoot(no)	—	33	150	—	50	250	—	120	600	—	150	750	
Insulation Resistance	500VDC, ≥100MΩ (input to output, any pins to case)													

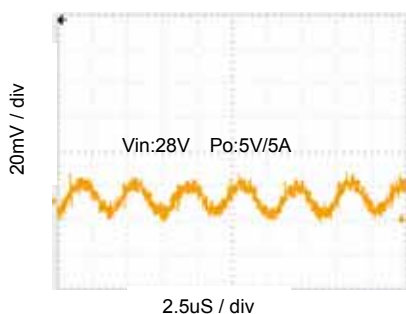
NOTE: 1. Using tip and barrel measurement.

2. Recovery time is measured from application of the transient to the point at which V_{out} is within 1% of final value.

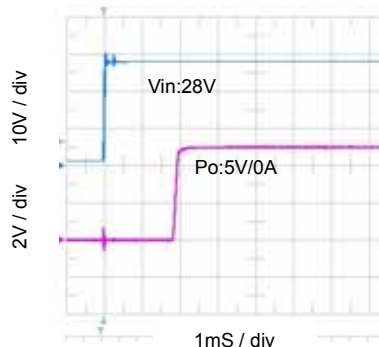


Typical Performance Curves:

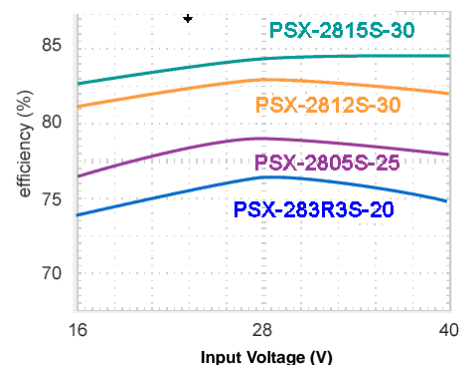
1: PXH-2805S-25 ripple



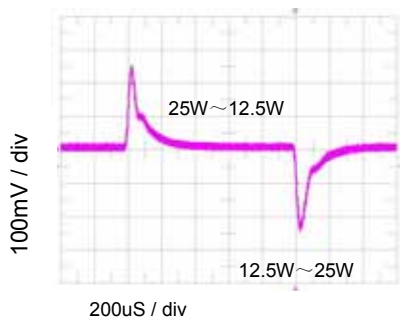
2: PXH-2805S-25 Turn on



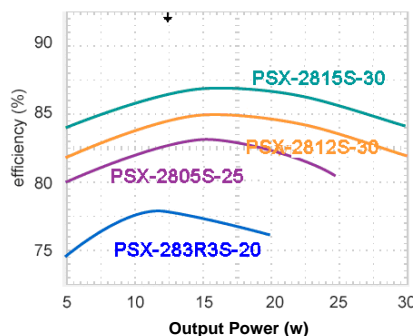
3: Efficiency



4: PXH-2805S-25 Load Step 50%-100%



5: Efficiency



Application Notes:

Inhibit Function

The INH pin is used to achieve the function of external shut down. No connection to Pin 2 is necessary for normal operation of the converter. Shut down may be implemented by simply pulling the Pin 2 below 0.3V referenced to input common.

Over Current/Short Circuit Protection

The PXH-28XXS-30 series of DC-DC converters has the function of over current/short circuit protection. When it is working under load fault condition, the converter will automatically activate the over current/short circuit protection and restore when the fault is removed. It is suggested that the duration of the current/short must be less than 10s, and the case temperature lower than 105°C. Otherwise, the module will be disabled.

Ripple Voltage

If the output V-ripple is too high for the application, it can be further suppressed by adding a filter capacitor between the Vo+ and Vo- outputs. The optimum value for this capacitor is recommended at around 50V/ 10µF with film or ceramic capacitor as preferable options.

Synchronization

The PXH-28XXS-30 series of DC-DC converters allows the designer to match the switching frequency of the converter to the frequency of the system clock or synchronize several modules by synchronization pin. Frequency ranges from 260 to 350 KHz, the level from -0.3 V to 10V, and duty

