

KEY FEATURES

- Power Module for PCB Mountable
- Six-sided Continuous Shield
- High Efficiency
- Standard Package
- 2 Years Product Warranty


ELECTRICAL SPECIFICATIONS

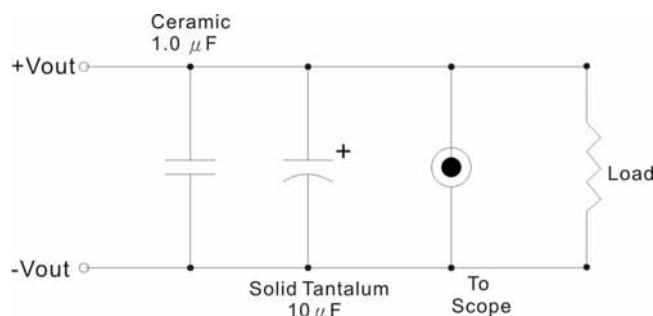
| Model No. | SK40-48-1.8S | SK40-48-2.5S | SK40-48-3.3S | SK40-48-5S | SK40-48-12S | SK40-48-15S | SK40-48-24S |
|-------------------------|---------------|---------------|---------------|--------------|--------------|--------------|--------------|
| Max. Output Wattage (W) | 14.4W | 20W | 26.4W | 40W | 40W | 40W | 40W |
| Input Voltage (V.DC.) | 48V (36-75V) | 48V (36-75V) | 48V (36-75V) | 48V (36-75V) | 48V (36-75V) | 48V (36-75V) | 48V (36-75V) |
| Output Voltage (V.DC.) | 1.8V / 8000mA | 2.5V / 8000mA | 3.3V / 8000mA | 5V / 8000mA | 12V / 3333mA | 15V / 2666mA | 24V / 1666mA |
| Efficiency (%) | 78% | 82% | 84% | 86% | 83% | 83% | 84% |

| Model No. (Single Output) | SK40-48-1.8S | SK40-48-2.5S | SK40-48-3.3S | SK40-48-5S | SK40-48-12S | SK40-48-15S | SK40-48-24S | |
|---------------------------|----------------------------------|---|--------------|------------|-------------|----------------|-------------|------|
| Max output wattage (W) | 14.4W | 20W | 26.4W | 40W | 40W | 40W | 40W | |
| Input | Input Filter π type | | | | | | | |
| Output | Voltage (V.DC.) | 1.8 | 2.5 | 3.3 | 5 | 12 | 15 | 24 |
| | Voltage Accuracy | $\pm 2\%$ | | | | | | |
| | Current (mA) max | 8000 | 8000 | 8000 | 8000 | 3333 | 2666 | 1666 |
| | Line Regulation (LL-HL) (typ.) | $\pm 0.5\%$ | | | | | | |
| | Load Regulation (10-100%) (typ.) | $\pm 1\%$ | | | | | | |
| | Ripple (Vp-p) | 50 mV max. | | | | $\pm 1\%$ max. | | |
| | Noise (Vp-p) | 100 mV max. | | | | $\pm 1\%$ max. | | |
| | Trim | $\pm 10\%$ | | | | | | |
| Protection | Switching Frequency | 400KHz | | | | | | |
| | Over Power Protection | Works over 120% of rating and recovers automatically. | | | | | | |
| | Over Voltage Protection | Zener diode clamp | | | | | | |
| Isolation | Short Circuit Protection | Hiccup mode, auto-recovery | | | | | | |
| | Voltage | 1600 VDC. | | | | | | |
| | Resistance | 10^8 ohms | | | | | | |
| Environment | Capacitance | 1000 pF | | | | | | |
| | Operating Temperature | -25°C...+70°C (with derating) (40°C full load with 18 CFM Air Flow) | | | | | | |
| | Storage Temperature | -55°C...+105°C | | | | | | |
| | Case Temperature | +100°C max. | | | | | | |
| | Temperature Coefficient | $\pm 0.02\%$ Per°C | | | | | | |
| | Humidity | 95% RH | | | | | | |
| Physical | MTBF | >550,000 h @ 25°C (MIL-HDBK-217F) | | | | | | |
| | Dimension (L x W x H) | 2.0 x 1.60 x 0.47 Inches (50.80 x 40.6 x 11.90 mm) Tolerance ± 0.5 mm | | | | | | |
| | Case Material | Nickel-Coated Copper with Non-Conductive Base, Six-side shielded. | | | | | | |
| | Weight | 58 g | | | | | | |
| Cooling Method | Free-air convection | | | | | | | |

All specifications valid at nominal input voltage, full load and +25°C after warm-up time unless otherwise stated.

OUTPUT NOISE

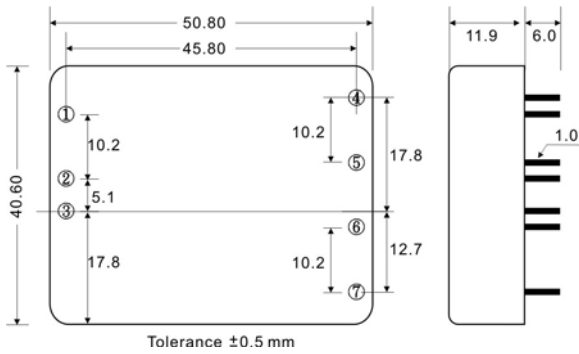
The output noise is measured with 10 μ F tantalum capacitor and 1 μ F ceramic capacitor across output.



SK40 SERIES

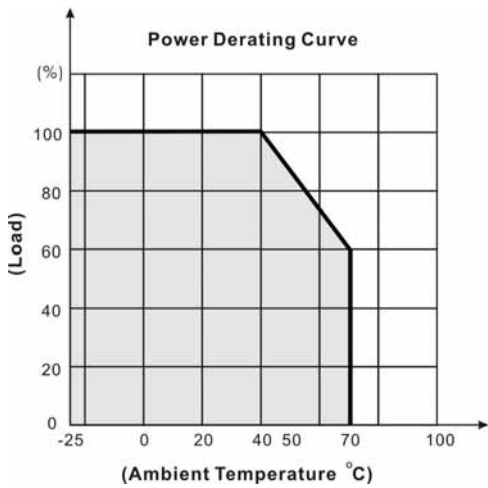
40 Watts

MECHANICAL DIMENSION (Top View)

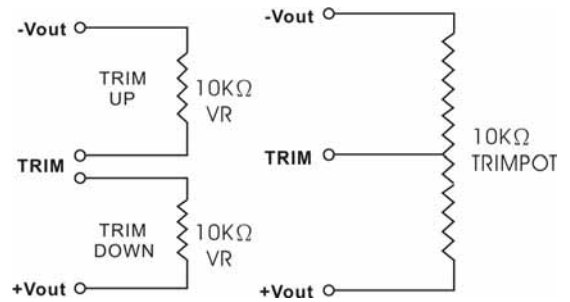


| PIN# | Single |
|------|---------|
| 1 | CTRL |
| 2 | -DC IN |
| 3 | +DC IN |
| 4 | TRIM |
| 5 | -DC OUT |
| 6 | +DC OUT |
| 7 | NO PIN |

DERATING

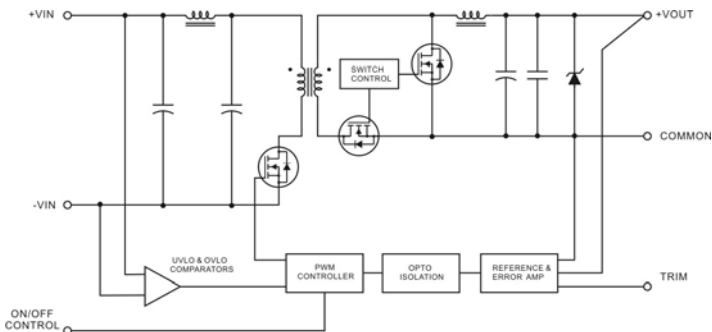


REMOTE ON/OFF CONTROL



BLOCK DIAGRAM

Output Voltage (V.DC) : 1.8V, 2.5V, 3.3V, 5V



Output Voltage (V.DC) : 12V, 15V, 24V

