



POWERSTAX ZTAF TERMINAL ADAPTOR

Terminal Adaptor for Full Brick Converter Modules

The Powerstax ZTAF is a cost effective and versatile way to provide simple and effective interface for full brick DC-DC Converters in your power system.

Ideal for industrial applications or bench testing, the unit can be supplied complete with a fixing kit for ease of installation.

Designed for the 500W, 350W and 200W version full brick modules, the terminal adaptor is also available to suit the popular triple out-put DC-DC Converter module.

General Specifications

Rating: Max 40A

Plastic parts UL94V0

Wire Size: Recommendations for the Wire size and crimp terminals on the APC-ZTAF Terminal Adaptor:

Signal and Vout (2-3) terminals: Stripped wire, AWG 20-18 (0,75mm² - 1mm²)

Main Power Vin and Vout terminals: Ring terminal, yellow: M4/M5 (2,7 - 6,6mm²)

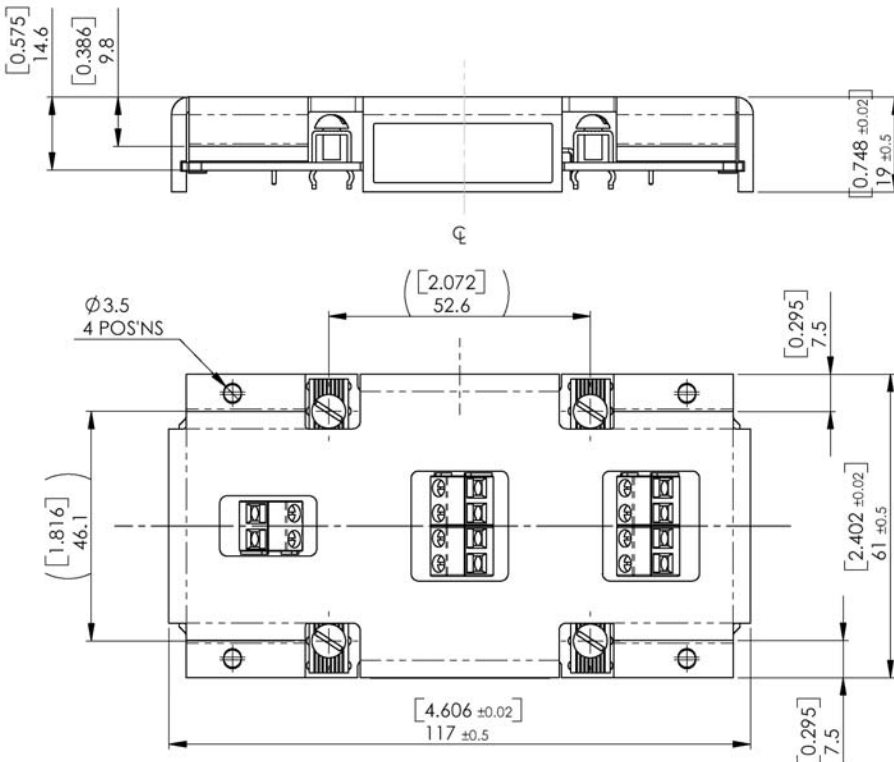
Multi-output Converters: The triple output terminal adaptor includes built in 3W rated 22V zener diodes to clamp the voltage of outputs 2 and 3. This is to prevent undue voltage stress on the internal output capacitors under conditions where the load on the main output is high and that on outputs 2 and 3 is light.

Efficiency: Use of the terminal adaptor may reduce the overall efficiency of converter by a small margin. Please consult APC for full details.

For Powerstax heatsinks suitable for use with the Full brick DC-DC converters also available.

Mechanical Outline

Dimensions in millimetres mm (inches)
Tolerances are Gen ± 0.25
Angular $\pm 0.5^\circ$
Unless otherwise specified



Note: Drawing shows adaptor to suit F203 triple output DC:DC Converter

Range

Part Ref	Description	Outputs
ZTAF-501-003	500 & 350W full brick with fixing kit & thermal pad	Single
ZTAF-203-003	200W full brick w/o fixing kit & thermal pad	Triple
ZTAF-201-003	200W full brick w/o fixing kit & thermal pad	Single



The Powerstax ZTAF shown on the full brick triple output F203 DC:DC Converter.



Exceeding absolute maximum ratings may cause permanent damage and may reduce reliability. Information and specifications contained in this data sheet are believed to be correct at the time of publication. However, Powerstax accept no responsibility for consequences arising from printing errors or inaccuracies. Specifications are subject to change without notice.

Powerstax plc

Unit B5, Armstrong Mall, Southwood Business Park, Farnborough, Hants, GU14 0NR, England

Tel: +44 (0) 1252 407800 Fax: +44 (0) 1252 407810 E-mail: sales@powerstaxplc.com www.powerstaxplc.com

revised July 2006